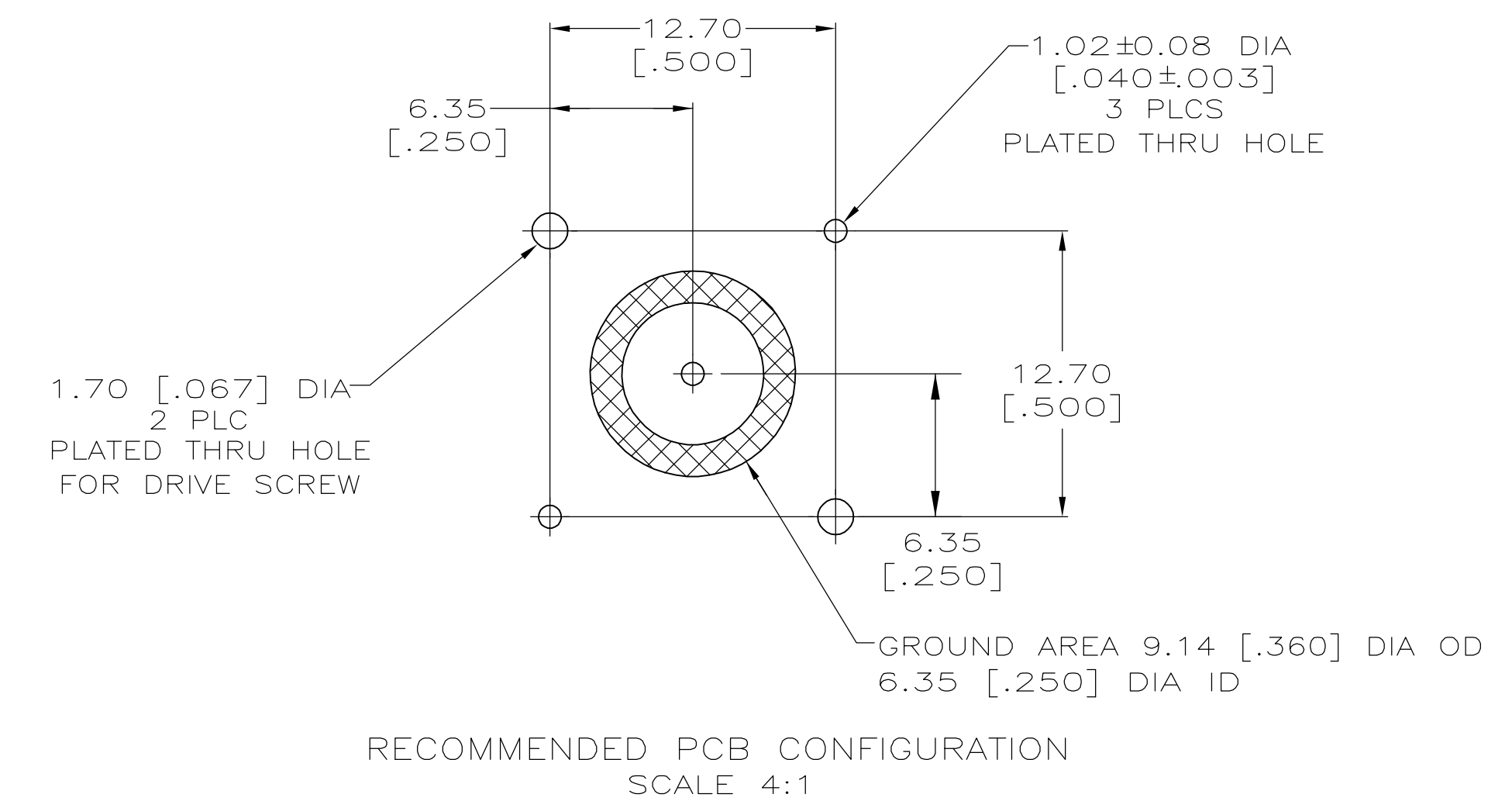


- 1 ZINC PER QQ-Z-363.
- 2 PTFE PER MIL-P-19468.
- 3 POLYESTER PER MIL-P-24519.
- 4 BERYLLIUM COPPER PER QQ-C-530.
- 5 STAINLESS STEEL PER ASTM-A-582.
- 6 PHOSPHOR BRONZE PER ASTM-B-103.
- 7 COPPER NICKEL ALLOY PER ASTM-B-122.
- 8 BRASS PER QQ-B-626.
- 9 NICKEL PLATE PER QQ-N-290  
5.08 μm [.000150] MINIMUM THICK.
- 10 GOLD PLATE PER MIL-G-45204  
0.76 μm [.000050] MINIMUM THICK.
- 11 PASSIVATE PER QQ-P-35.
- 12 NICKEL PLATE PER QQ-N-290  
0.76 μm [.000030] MINIMUM THICK.
- 13 TIN PLATE PER ASTM-B-545,  
2.54 μm [.000100] MIN THICK.

- 14 ELECTRICAL CHARACTERISTICS:  
A. CAPACITANCE 10800 pf  
B. DIELECTRIC WITHSTANDING VOLTAGE 1000 VDC
- 15 .010±.001 THICK MYLAR INSULATOR (AMP P/N 1274213-1) ATTACHED TO BOTTOM. (NOT SHOWN)
- 16 ELECTRICAL CHARACTERISTICS:  
A. CAPACITANCE 10800 pf  
B. DIELECTRIC WITHSTANDING VOLTAGE 1800 VDC  
C. WORKING VOLTAGE 1500 VDC
- 17. SEE INSTRUCTION SHEET 408-9194
- 18 GOLD PLATE PER MIL-G-45204.



	5.72±0.64 [.225±.025]	414493-4
SUPERSEDED BY -4	5.72±0.64 [.225±.025]	414493-3
15,14 OBSOLETE	4.44±1.14 [.175±.045]	414493-2
14 OBSOLETE	4.44±1.14 [.175±.045]	414493-1
DIM "D"		PART NUMBER

THIS DRAWING IS A CONTROLLED DOCUMENT.

DIMENSIONS: mm [INCHES]	TOLERANCES UNLESS OTHERWISE SPECIFIED: 0 PLC ± - 1 PLC ± - 2 PLC ± 0.05 [002] 3 PLC ± - 4 PLC ± - ANGLES ± - FINISH	DWN K. TOBIAS 03Feb93	CHK A. GABANY 04Feb93	APVD J. LIPPERT 18Feb93	NAME Tyco Electronics Corporation Harrisburg, PA 17105-3608
MATERIAL SEE NOTES 1 - 8	SEE NOTES 9 - 13	APPLICATION SPEC 114-12001		SIZE A1	CAE CODE 00779
CUSTOMER DRAWING				SCALE 8:1	SHEET 1 OF 1

JACK, DECOUPLER, PCB, ACTION PIN, 75 OHM, BNC

RESTRICTED TO  
414493